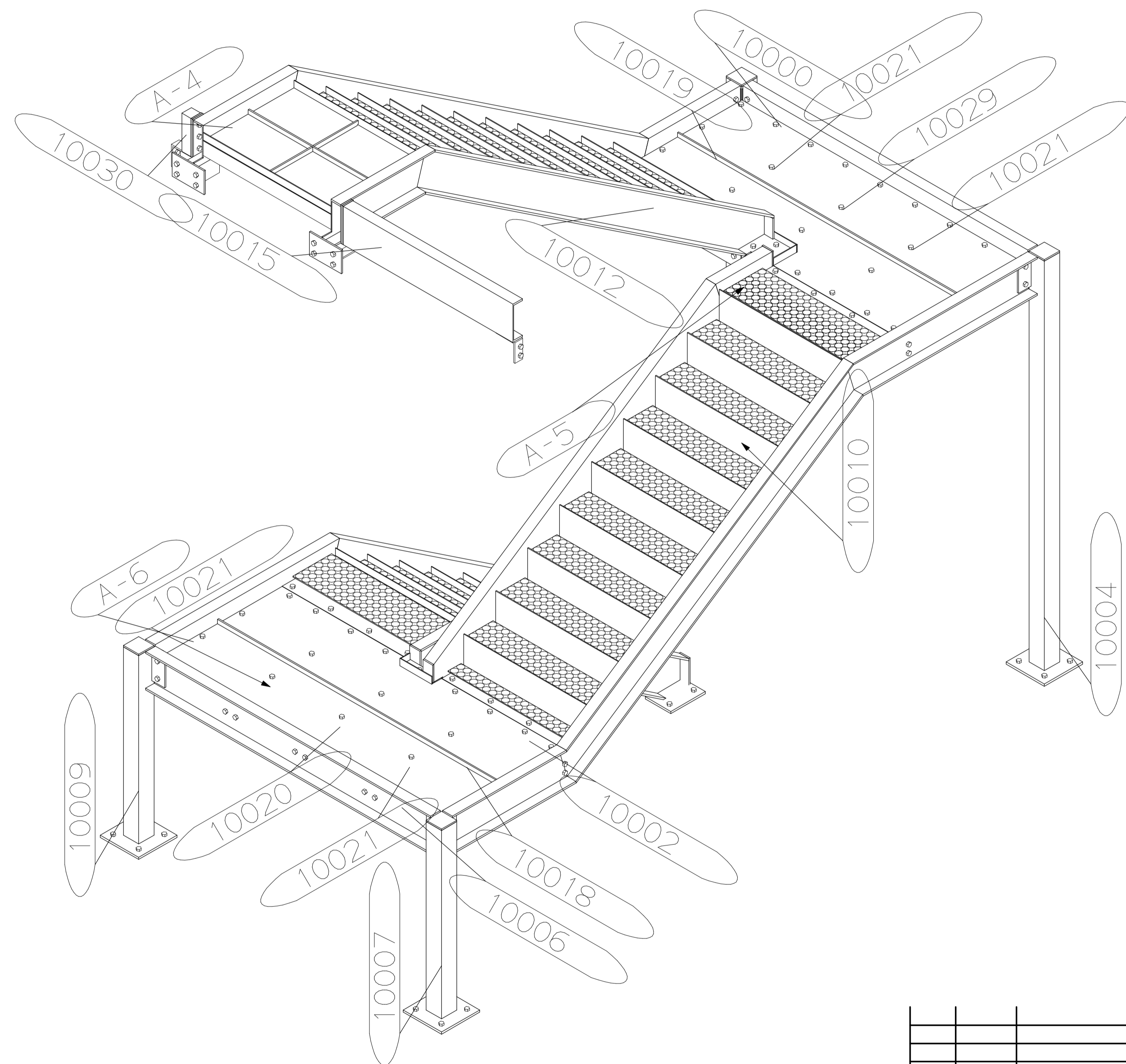
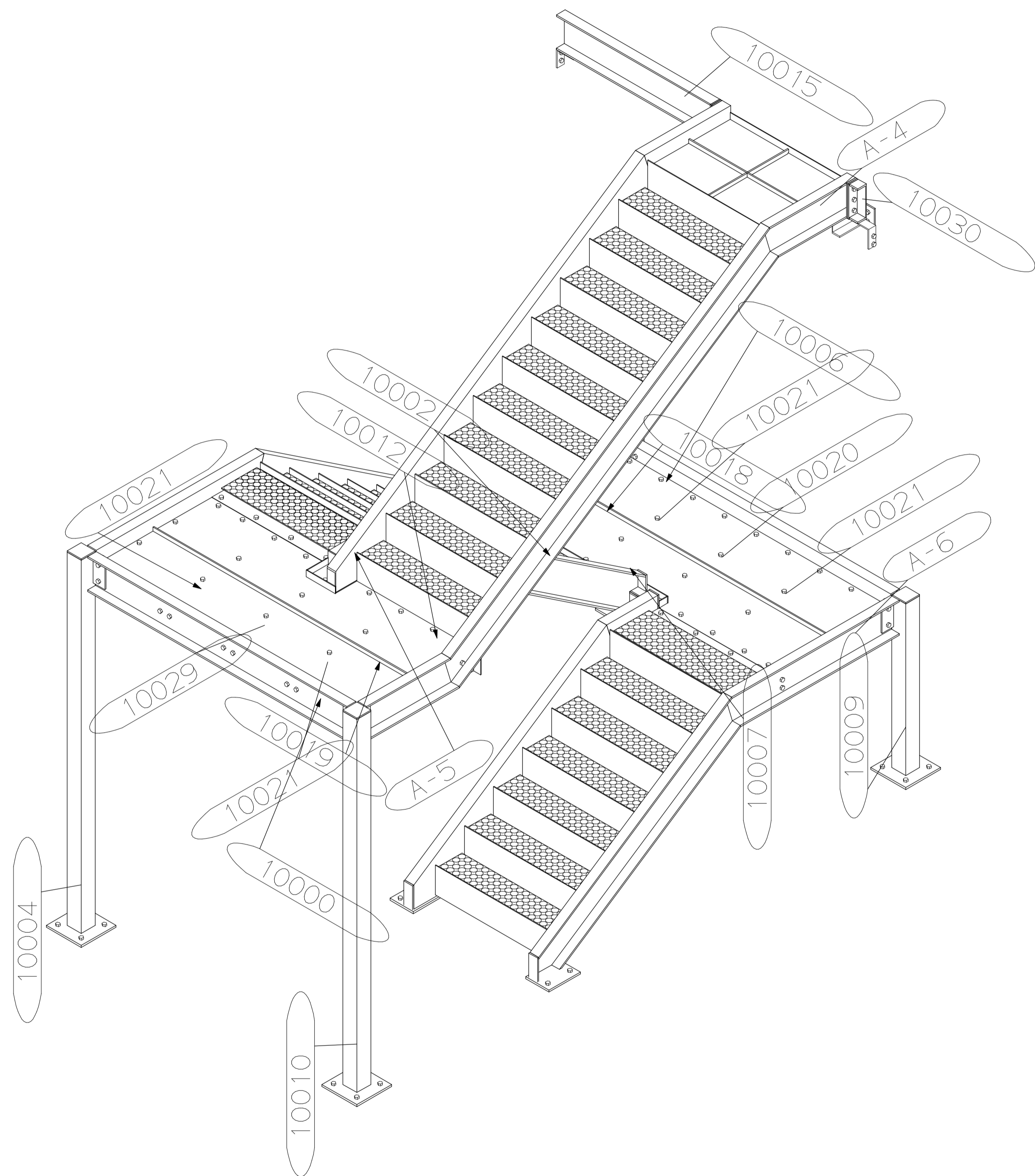
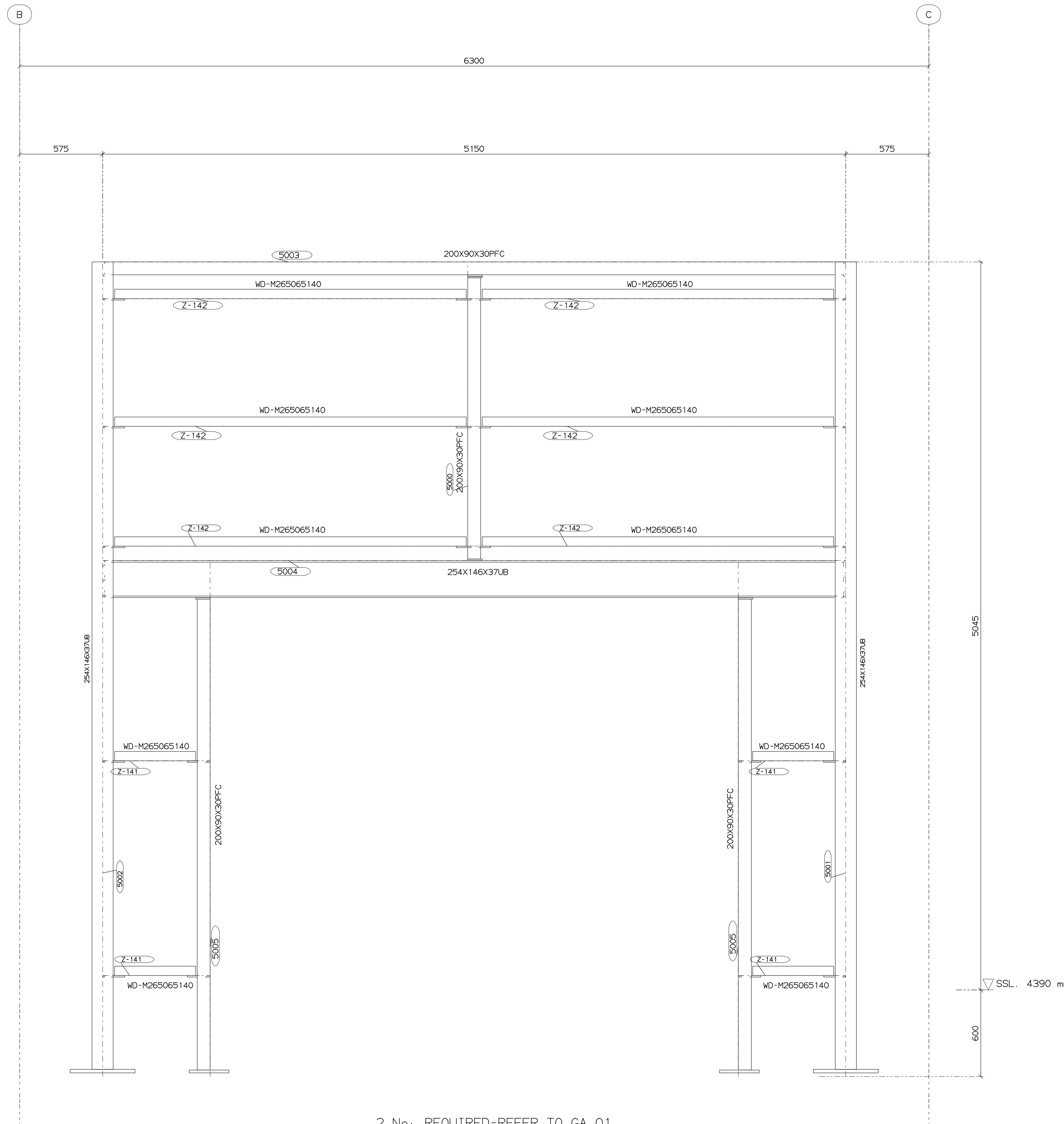


- NOTES.
1. THIS DRAWING TO BE READ IN CONJUNCTION WITH ALL OTHER RELEVANT ARCHITECTS AND ENGINEERS DRAWINGS.
 2. ALL INDICATED CLEARER ANGLES ARE SUPPLIED BY SNASHALL STEEL FABRICATIONS FOR FITTING BY OTHERS.
 3. THIS DRAWING IS FOR INFORMATION ONLY AND DOES NOT FORM PART OF THE CONTRACT DOCUMENTS.



REV 'N	DATE	DESCRIPTION
SNASHALL STEEL FABRICATIONS Co.Ltd. Pulham Business Park, Pulham, Dorchester, Dorset, DT2 7DX. Tel: 01300-345588 Fax: 01300-345533		
DRAWN	TJM	SCALE N.T.S.
Client Caffyns Land Rover Showroom		
CLIENT Baxall Construction		
SITE West Sussex, BN7 2DN		
STAFF STAIRS-MARKING PLAN		
CONTRACT No.	9876	ISSUED 09/09/11
DRAWING No.	HRMP_07	REVISION

- NOTES.
1. THIS DRAWING TO BE READ IN CONJUNCTION WITH ALL OTHER RELEVANT ARCHITECTS AND ENGINEERS DRAWINGS.
 2. ALL INDICATED CLEARER ANGLES ARE SUPPLIED BY SNASHALL STEEL FABRICATIONS FOR FITTING BY OTHERS.



HD BOLTS ALREADY IN POSITION
REFER TO GA_01

2 No. REQUIRED-REFER TO GA_01

REV'N	DATE	DESCRIPTION
SNASHALL STEEL FABRICATIONS Co.Ltd. Pulham Business Park, Pulham, Dorchester, Dorset, DT2 7DX. Tel: 01300-345588 Fax: 01300-345533		
DRAWN	TJM	SCALE
Caffyns Land Rover Showroom		
CLIENT	Baxall Construction	
SITE	West Sussex, BN7 2DN	
SIGNAGE PORTALS-MARKING PLAN.		
CONTRACT No.	9876	ISSUED 23/09/11
DRAWING No.	HRMP_08	REVISION
← 100mm at original scale →		